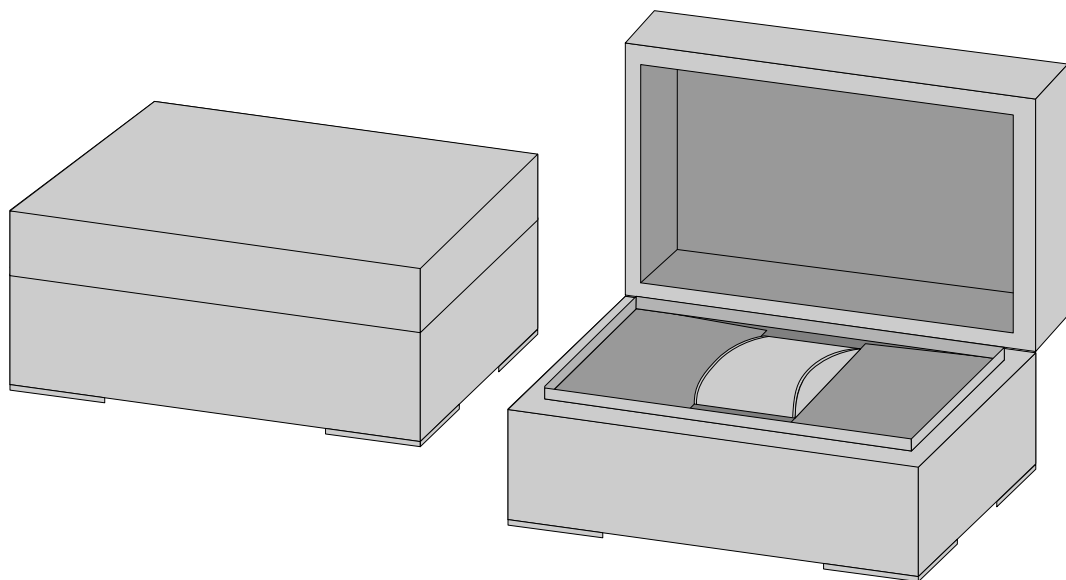


# PACKAGING / Heritage



## MODEL HERITAGE

COD	B	P	H	USE
<b>88776</b>	18,8	13,2	9	Watch
<b>int.</b>	17,1	11,6		